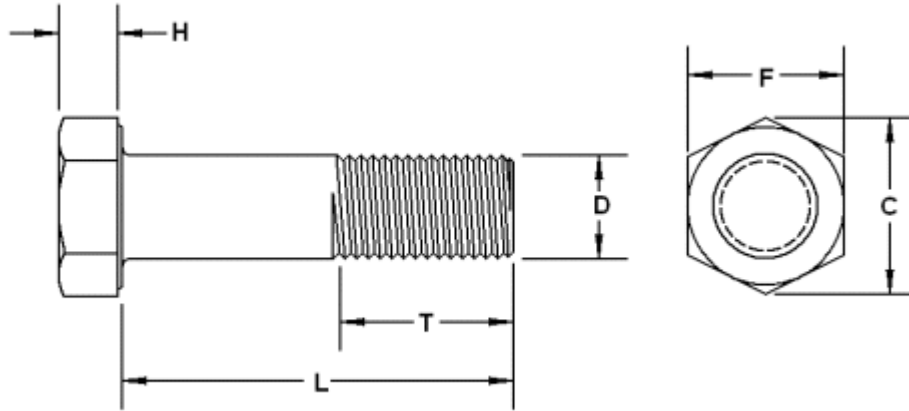


Finished Hex Head Bolts

Grade 2, 5, 8 and L9



SAE Grade 2, ASTM A307 Plain = HC020----- Zinc = HC020-----Z1
 SAE J429 Grade 5, ASTM A449 Plain = HC050-----00D Zinc = HC050-----Z1D
 SAE J429 Grade 8, ASTM A490 Plain = HC080-----00D Zinc = HC080-----Z1D
 SAE J429 Grade L9, ASTM F606 (Note 1) Zinc = HCL90-----Z1

Tap Bolts/Fully Threaded HCT020----- HCT050----- HCT080-----

Bolt Diameter	D	F			C		H	Weight
	Body Diameter	Width Across Flats			Width Across Corners		Height	Rough Estimate
	Max	Basic	Max	Min	Max	Min	Basic	Per Each
1/4	0.260	7/16	0.438	0.425	0.505	0.484	11/64	.003 + .014 x inch
5/16	0.324	1/2	0.500	0.484	0.577	0.552	7/32	.007 + .021 x inch
3/8	0.388	9/16	0.562	0.544	0.650	0.620	1/4	.012+ .030 x inch
1/2	0.515	3/4	0.750	0.725	0.866	0.826	11/32	.034 + .055inch
5/8	0.642	15/16	0.938	0.906	1.083	1.033	27/64	.063 + .084 x inch
3/4	0.768	1-1/8	1.125	1.088	1.299	1.240	1/2	.128 + .125 x inch
7/8	0.895	1-5/16	1.312	1.269	1.516	1.447	37/64	.188 + .180 x inch
1	1.022	1-1/2	1.500	1.450	1.732	1.653	43/64	.219 + .230 x inch
1-1/8	1.149	1-11/16	1.688	1.631	1.949	1.859	3/4	.353 + .280 x inch
1-1/4	1.277	1-7/8	1.875	1.812	2.165	2.066	27/32	.509 + .345 x inch
1-3/8	1.404	2-1/16	2.062	1.994	2.382	2.273	29/32	
1-1/2	1.531	2-1/4	2.250	2.175	2.598	2.480	1	.920 + .500 x inch
1-3/4	1.785	2-5/8	2.625	2.538	3.031	2.893	1-5/32	1.37 + .700 x inch
2	2.039	3	3.000	2.900	3.464	3.306	1-11/32	2.16 + .890 x inch
2-1/4	2.305	3-3/8	3.375	3.262	3.897	3.719	1-1/2	
2-1/2	2.559	3-3/4	3.750	3.625	4.330	4.133	1-21/32	

Dimensional specifications per ASME B18.2.1

STANDARD THREAD LENGTH Bolt lengths ≤ 6": Thread length = (2 X diameter) + 1/4"
 Bolt lengths > 6": Thread length = (2 X diameter) + 1/2"

Note 1: L9 Head height is not accurate in this chart.